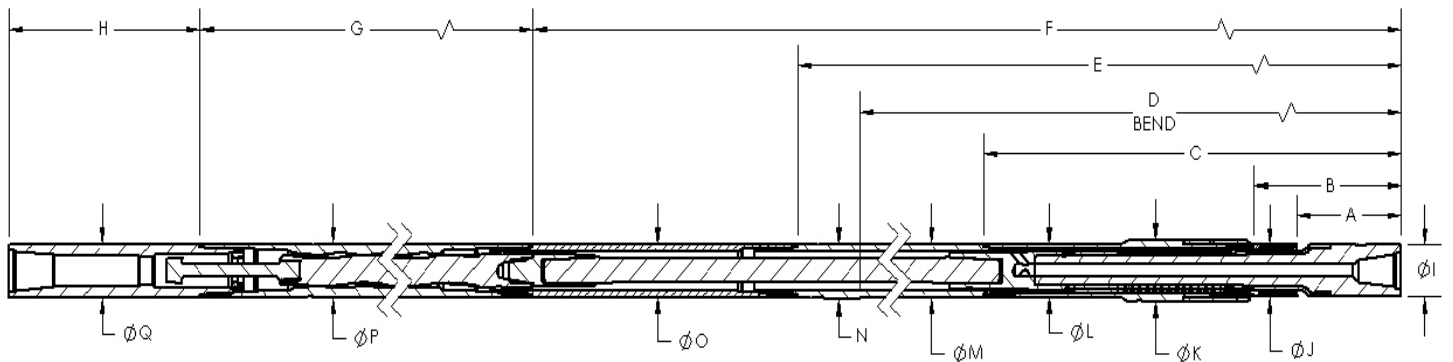


| INNER FISHING DIMENSIONS | | | | | | | | | | | | | | | | | |
|--------------------------|-------|-------|------|-------|-------|------|-----|------|------|------|------|------|-------|------|------|------|------|
| A | B | C | D | E | F | G | H | I | J | K | L | M | N | O | P | Q | R |
| 20.3 | 37.42 | 41.17 | 50.8 | 117.8 | 233.5 | 9.15 | 5.0 | 3.03 | 3.69 | 2.77 | 3.53 | 3.38 | 2.188 | 3.06 | 3.06 | 1.15 | 2.38 |



| OUTER FISHING DIMENSIONS (FIXED) | | | | | | | | | | | | | | | | |
|----------------------------------|-------|-------|------|-------|-------|-----|------|-----|-----|------|-----|-----|------|-----|-----|-----|
| A | B | C | D | E | F | G | H | I | J | K | L | M | N | O | P | Q |
| 11.75 | 16.55 | 46.94 | 81.0 | 88.03 | 117.8 | 246 | 21.5 | 5.0 | 5.0 | 5.75 | 5.0 | 5.0 | 5.18 | 5.0 | 5.0 | 5.0 |